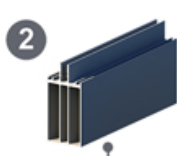
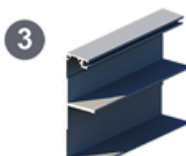


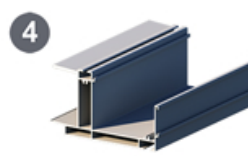
**PR-H4084**  
Post Profile  
Dikme Profili



**PR-H4085**  
Transom Profile  
Taşıyıcı Profil



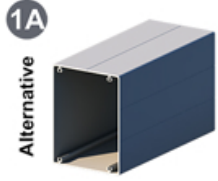
**PR-H4086**  
Wall Profile  
Duvar Profili



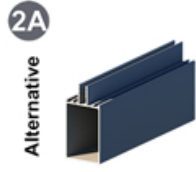
**PR-H4089**  
Groove Profile  
Oluk Profili



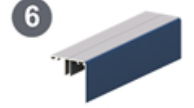
**PR-H4090**  
Cover for Groove Profile  
Oluk Kapak Profili



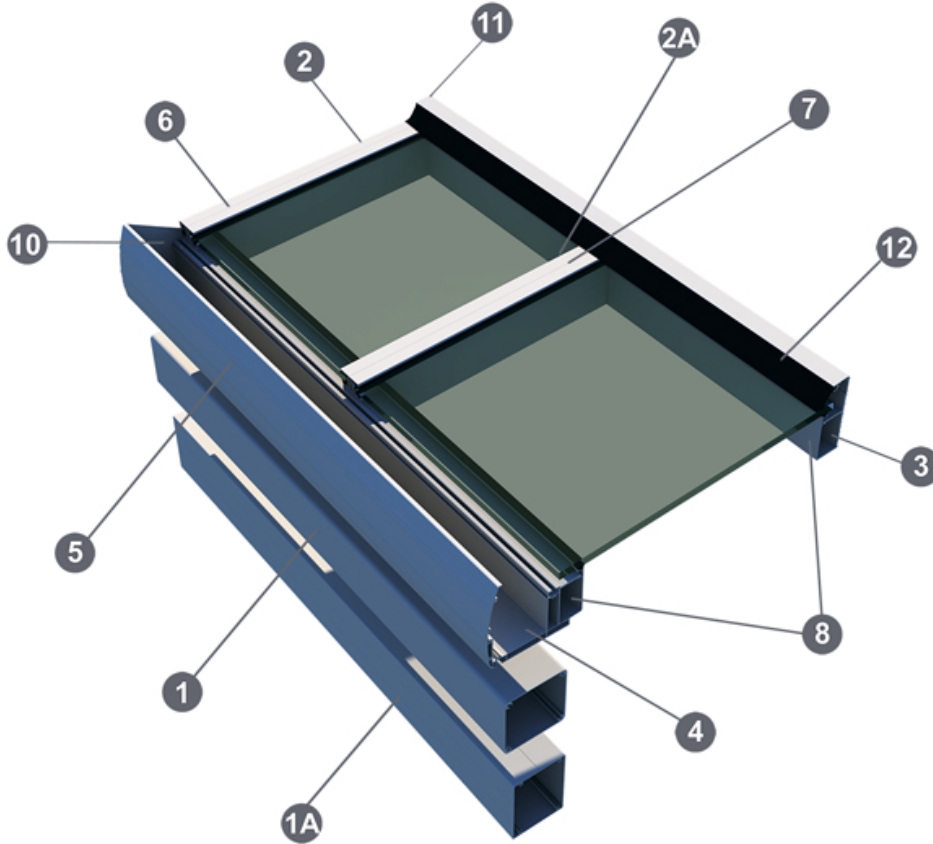
**PR-H4091**  
Post Profile  
Dikme Profili



**PR-H4504**  
Transom Profile  
Taşıyıcı Profil



**PR-H4088**  
Side Cover for Transom Profile  
Yan Taşıyıcı Kapak Profili

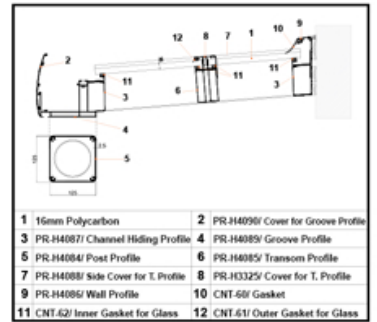


**PR-H3325**  
Cover for Transom Profile  
Taşıyıcı Kapak Profili



**PR-H4087**  
Channel Hiding Profile  
Kanal Kapama Profili

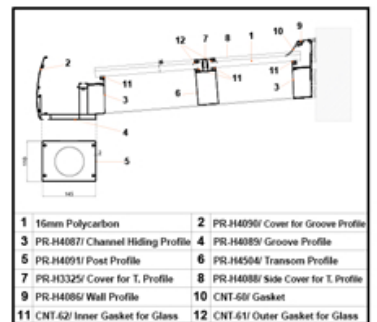
### PROFILE DETAIL



1 16mm Polycarbon	2 PR-H4090/ Cover for Groove Profile
3 PR-H4087/ Channel Hiding Profile	4 PR-H4089/ Groove Profile
5 PR-H4084/ Post Profile	6 PR-H4085/ Transom Profile
7 PR-H4088/ Side Cover for T. Profile	8 PR-H3325/ Cover for T. Profile
9 PR-H4086/ Wall Profile	10 CNT-60/ Gasket
11 CNT-62/ Inner Gasket for Glass	12 CNT-61/ Outer Gasket for Glass

### Tamamlayıcı Ürünleri Complementary Product

### PROFILE DETAIL 2



1 16mm Polycarbon	2 PR-H4090/ Cover for Groove Profile
3 PR-H4087/ Channel Hiding Profile	4 PR-H4089/ Groove Profile
5 PR-H4091/ Post Profile	6 PR-H4504/ Transom Profile
7 PR-H3325/ Cover for T. Profile	8 PR-H4088/ Side Cover for T. Profile
9 PR-H4086/ Wall Profile	10 CNT-60/ Gasket
11 CNT-62/ Inner Gasket for Glass	12 CNT-61/ Outer Gasket for Glass

**AK-4084A**  
Foot for Post Profile  
Dikme Profil Ayağı



**AK-4086K**  
Endcap for Wall Profile  
Duvar Profil Kapağı



**AK-4089K**  
Endcap for Groove Profile  
Oluk Profili Kapağı



**CNT-61**  
Outer Gasket for Glass  
Dış Cam Fitili



**CNT-62**  
Inner Gasket for Glass  
İç Cam Fitili



**CNT-60**  
Gasket  
Fitil

